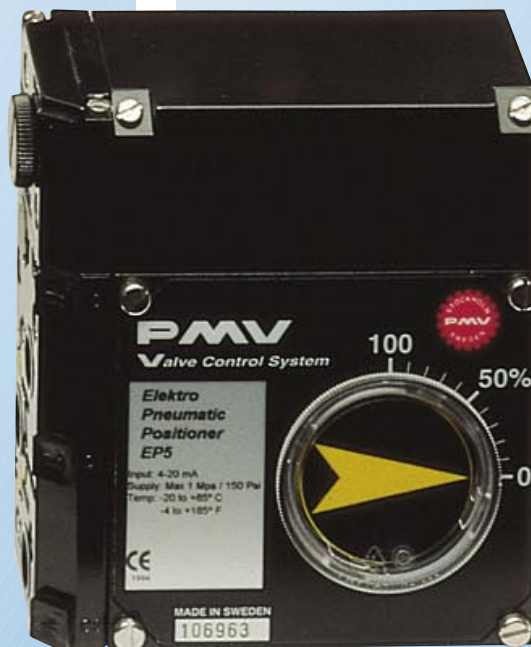


# EP5 Electropneumatic Positioner



**T**he EP5 electropneumatic positioner is adapted from the PMV P5 pneumatic positioner. This compact and sturdy unit is designed for maximum performance in all types of environments. The EP5 is available in Standard, Intrinsically Safe and Explosion Proof versions. A modular feedback unit F5 allows for the addition of limit switches and/or position transmitters, without additional mounting brackets.

Other features include: replaceable filter, gauge ports, dampers, tapped exhaust port for venting of supply media, external zero adjustment and completely sealed cover.



**S**turdy, simple, reliable design.

**H**igh gain pilot valve.

**B**right visible indicator, flat or Dome style.

**S**tainless steel cam.

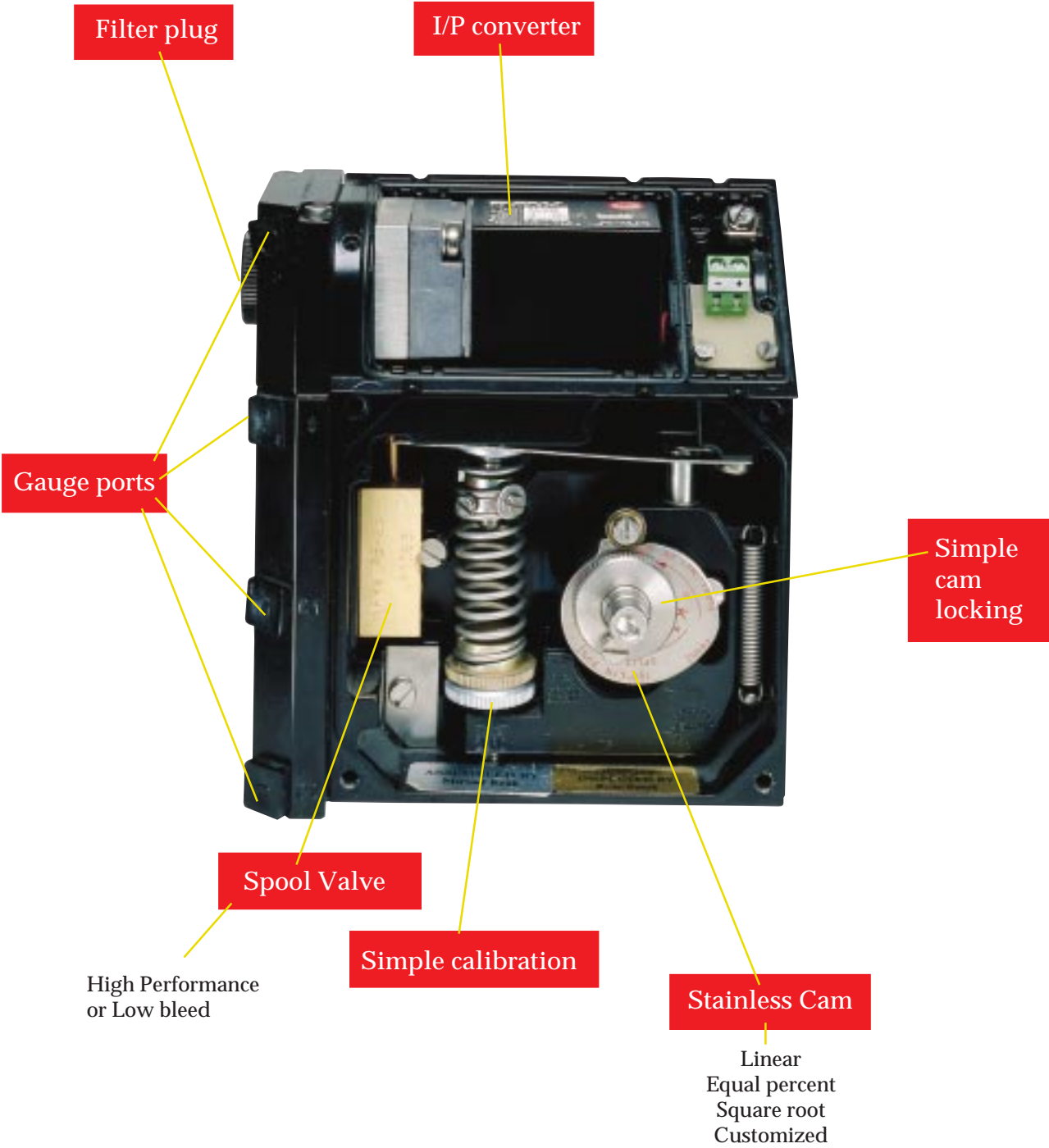
**T**apped exhaust port.

**E**asy to add on Feedback Unit F5.

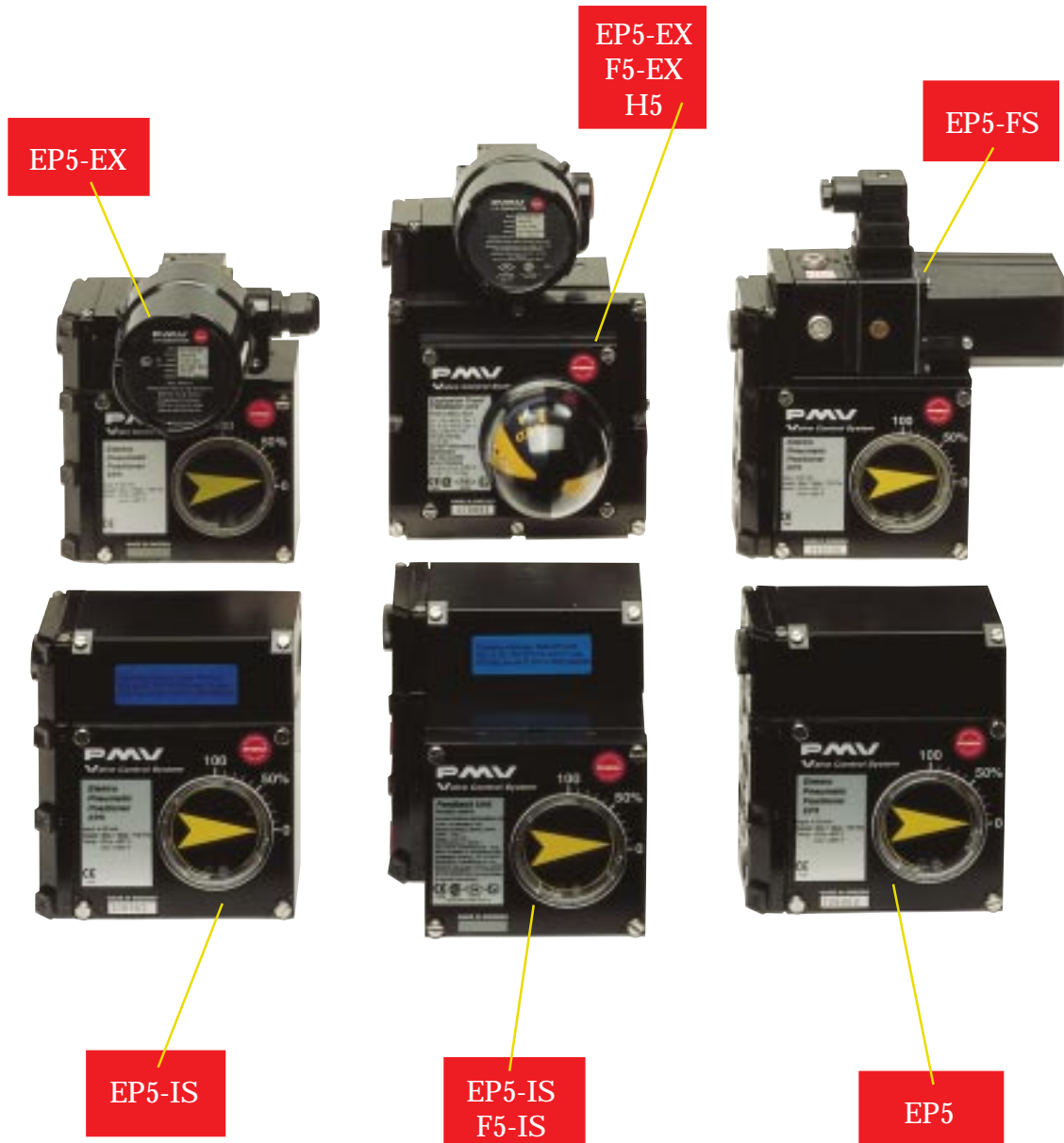
**S**imple calibration, external zero adjustment

**B**uilt in gauge ports.

# Simple



# Modular



**EP5** For all normal applications

**EP5-EX** Explosion Proof

**EP5-IS** Intrinsically Safe

**EP5-FS** Fail in place\*

\* See PMV datasheet 23746

# Technical Specifications

Deadband	≤ 0.15%
Input signal	4-20mA
Linearity	≤ 1%*
Hysteresis	≤ 0.75%*
Repeatability	≤ 0.5%*
Air supply	Max 1 MPa/150 Psi, Oil, water and dustfree Min 0.14 MPa/21 Psi
Connector threads	1/4"NPT or G (BSP)
Gauge threads	1/8" NPT or G (BSP)
Conduit entry	1/2" NPT or PG 13.5 (M20)
Terminals	2.5 mm <sup>2</sup> (AVG 14) Screw terminals

## Low Bleed Version

Gain factor at: 600 KPa/87 Psi	Min. 1000 Kpa/Kpa Min. 66%/ % ISA S75.13-1989
--------------------------------	--

Min: 450 KPa/KPa Min: 30 %/ %
----------------------------------

### Max. air consumption at supply pressure:

0.2 MPa/29 Psi	6.1 nl/min (0.22 SCFM)	2,7 nl/min (0,1 SCFM)
0.4 MPa/58 Psi	13.6 nl/min (0.48 SCFM)	6,1 nl/min (0,21 SCFM)
0.6 MPa/87 Psi	22 nl/min (0.78 SCFM)	9.9 nl/min (0,35 SCFM)
0.8 MPa/116 Psi	30.5 nl/min (1.08 SCFM)	13,7 nl/min (0,48 SCFM)
1 MPa/145 Psi	39 nl/min (1.38 SCFM)	17,5 nl/min (0,62 SCFM)

### Min. air delivery at supply pressure:

0.2 MPa/29 Psi	200 nl/min (6.9 SCFM)	156 nl/min (0,62 SCFM)
0.4 MPa/58 Psi	370 nl/min (12.8 SCFM)	288 nl/min (0,62 SCFM)
0.6 MPa/87 Psi	540 nl/min (18.8 SCFM)	421 nl/min (0,62 SCFM)
0.8 MPa/116 Psi	710 nl/min (24.7 SCFM)	553 nl/min (0,62 SCFM)
1 MPa/145 Psi	880 nl/min (30.6 SCFM)	686 nl/min (0,62 SCFM)

Input impedance	170-260 Ohms at 20°C (71°F)
RFI influence	Not measurable
Capacitance	Negligible
Position sensitivity	None
Supply pressure effect	0.5%/0.1 MPa (15 Psi)
Temperature range	-20°C to +85°C/ (-4F to +185°F)
Low temp option	-40°C to +85°C (-40°F to +185°F)
Weight	1.5 kg/3.4 lbs
Housing	Die cast aluminum
Surface treatment	ED Epoxy paint, Black
Fasteners	A2/A4 Stainless
Ingress protection	IP 66/NEMA 4

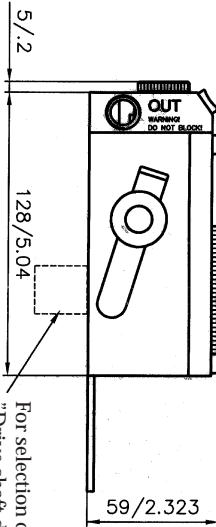
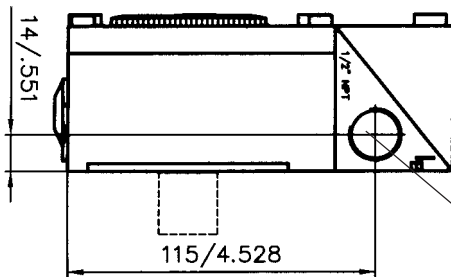
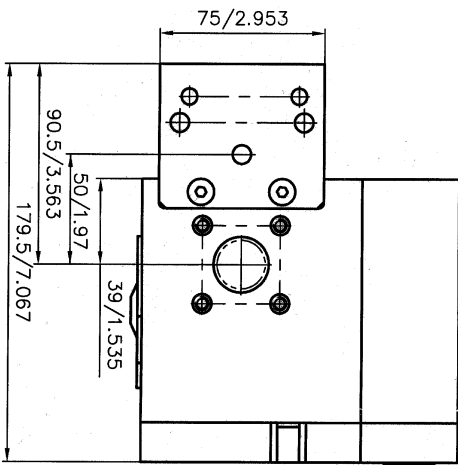
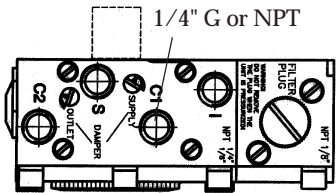
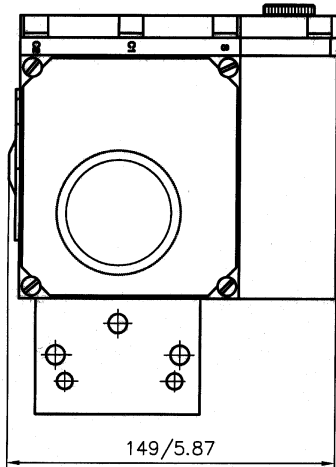
## Approvals

Cenelec	Intrinsically safe Flameproof**	EEx ia IIC T4-T6 EEx d IIC T4-T6
FM	Intrinsically safe Explosion proof**	Div.1, Class 1, Group ABCD Div 1, Class 1, Group BCD
CSA	Intrinsically safe Explosion proof**	Div. 1, Class 1, Group ABCD Div 1, Class 1,2,3 Group BCDEFG

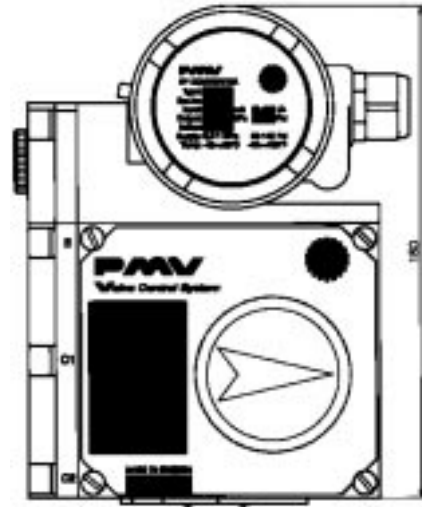
\*Percent of full scale

\*\*I/P in round housing

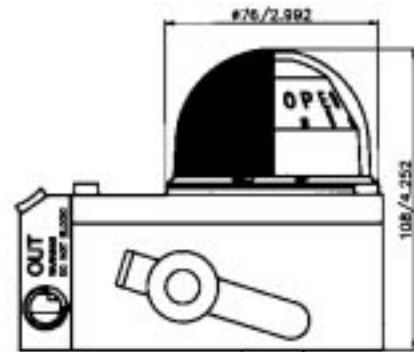
# Dimensional Drawing



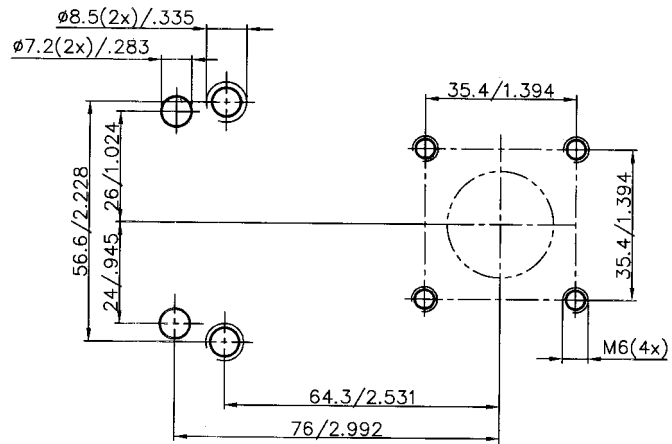
For selection of the feedback-spindle pls see "Drive shaft dimension drawing" SPINDLS.P5



EP5 Explosion proof version



EP5 with H5



EP5 Footprint