

# P-2000 Electropneumatic positioner



## Description

The PMV P-2000 series positioner is one of the sturdiest, reliable electropneumatic positioners on the market.

Controlling air delivery with the PMV standard spool valve assembly and receiving the 4-20mA control signal through our voice coil magnet unit assembly, this positioner offers a wide range of features and benefits.

P-2000 has an internal gain adjustment, as with other PMV models, the easy to reach span and zero adjustment makes this model very simple to calibrate. This unit is also available for intrinsically safe applications and is approved by CENELEC (PTB), CSA, and UL



**PMV Electropneumatic positioner model P-2000.**

## Features and benefits

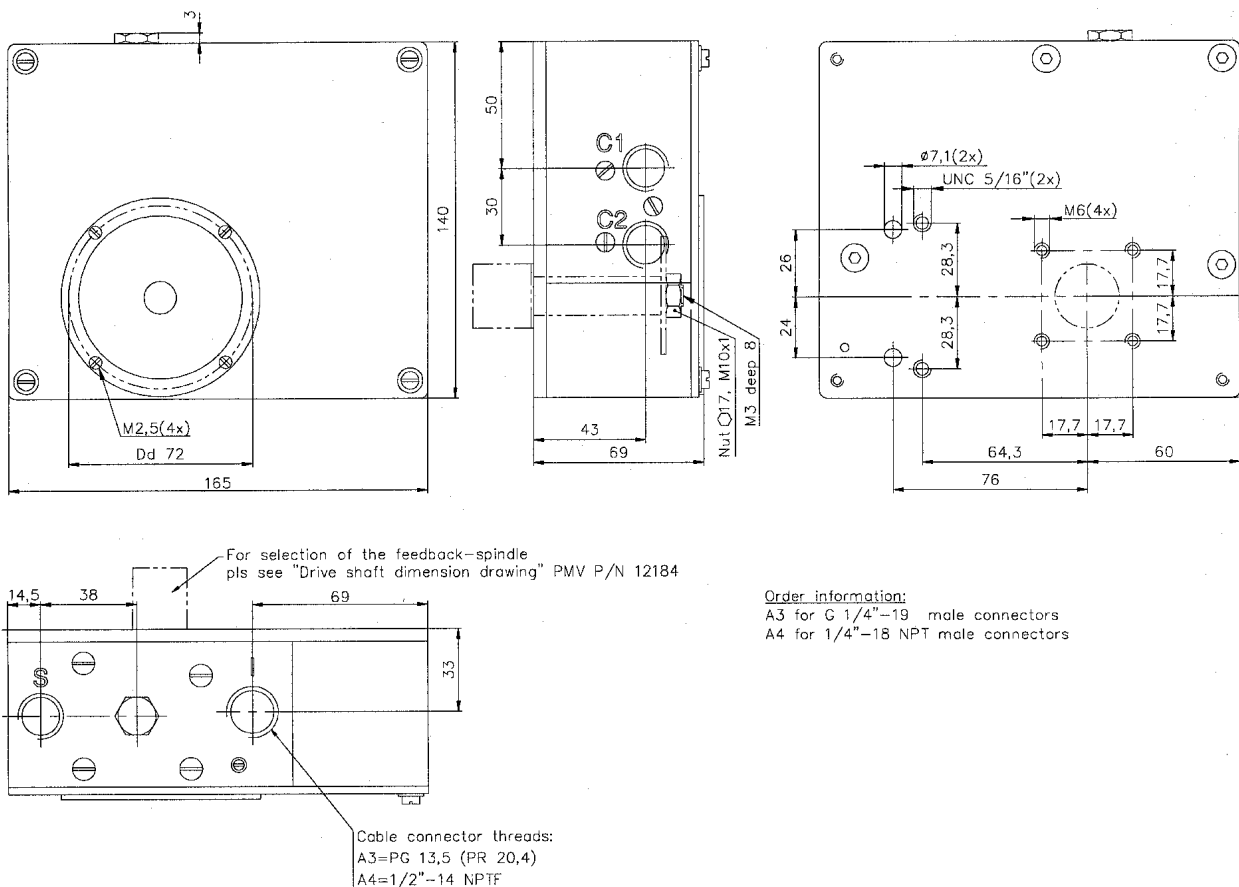
- Rugged design for harsh industrial environments.
- Simple, easy to calibrate.
- Low air consumption.
- High air delivery capacity.

- Internal gain adjustment.
- Bright, visible indicator.
- Mounting kits for a variety of actuators-rotary and linear.
- Split range cam standard.
- Can reverse action simply and quickly.
- Positive internal pressure helps keep the unit clean and dry.
- Variety of spindles and characterized cams.
- Easy to add on position feedback.

## Technical Specifications:

<b>Input signal</b>	0-20 / 4-20 mA
<b>Air supply</b>	2-8 bar (30-120 Psi) Oil free, dry air filtered to 25 micron
<b>Air Connections</b>	1/4" G or NPT
<b>Electrical connection</b>	PG 13,5 or 1/2" NPT
<b>Terminals</b>	4 mm <sup>2</sup> (AWG 11) screw terminals
<b>Linearity %*</b>	± 0.5
<b>Repeatability %*</b>	0.5
<b>Hysteresis + deadband %*</b>	1
<b>Gain factor</b>	Adjustable 3 to 26 %/% ISA 75. 13-1989 Adjustable 50-400 kPa/kPa at 20% load
<b>Air delivery capacity</b>	340 nl/min (12 SCFM) at 0.6 Mpa/87 Psi
<b>Air consumption</b>	10 nl/min (0,35 SCFM) at 0.6 Mpa/87 Psi
<b>Supply pressure effect</b>	0.75%/100 kPa (15 Psi)
<b>Position sensitivity</b>	0.25% of span
<b>EMC</b>	89/336/EEC & 92/31/EEC
<b>Internal resistance</b>	Max 240 Ω
<b>Temp range</b>	-15 to 85°C (5 to 185°F)
<b>Materials, surface treatment</b>	Aluminium anodized, stainless steel
<b>Fasteners</b>	Zincified steel
<b>Ingress protection</b>	IP54/NEMA 3R
<b>Weight</b>	2.7 kg/lbs 5.4
<b>*% of full scale</b>	

# Dimensional Drawing



## Ordering Information

1. Model	P2000 or P2020	Standard or High air delivery capacity
2. Air connections	N or G	NPT 1/4" or G 1/4"
3. Surface treatment	E	Anodised
4. Spindle	01, 23 etc	C1 to C34. See dwg SPNDLSP_2000
5. Cam	F01, F20 etc	F01 to F51, F01 = linear 90 deg, standard
6. Front cover	PV9DA	90 deg, Direct, arrow indicator
7. Temperature/gain	ZN	Nitrile seals -15 deg °C/Normal gain springs

Example:

**P2000NE-23F01-PV9DA-ZN**

1 2 3 4 5 6 7